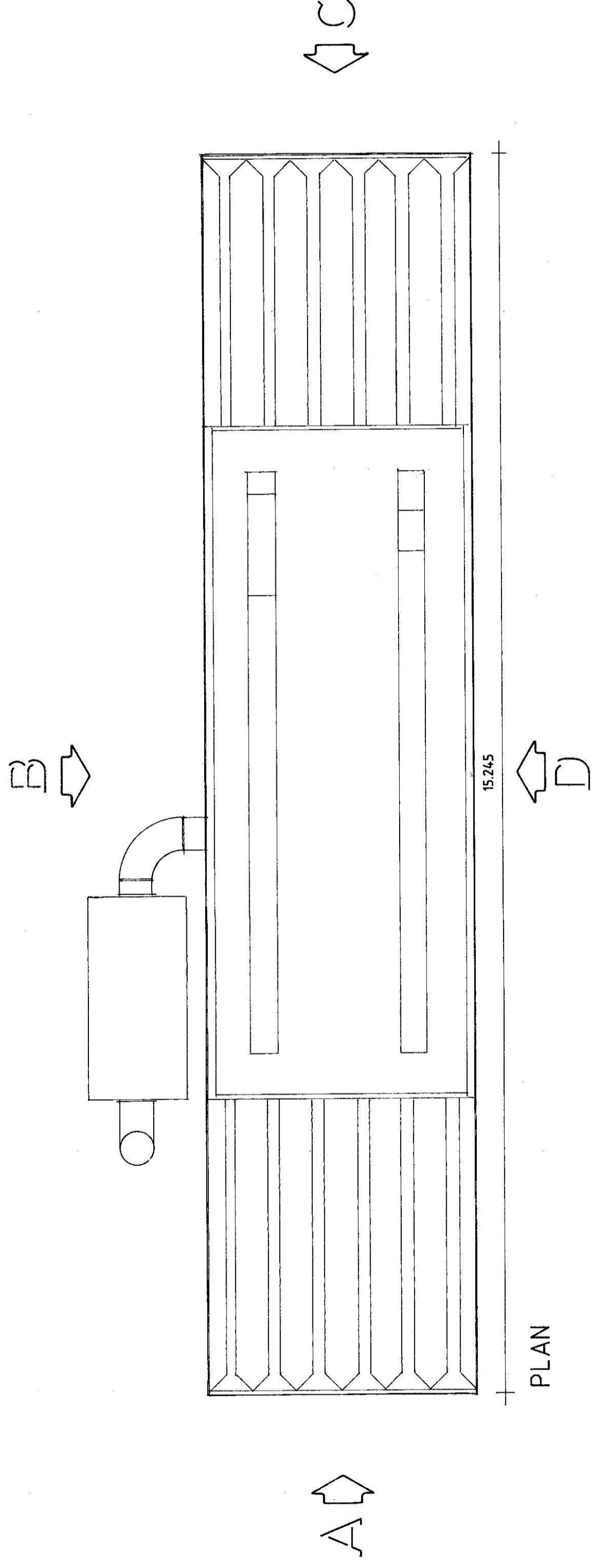
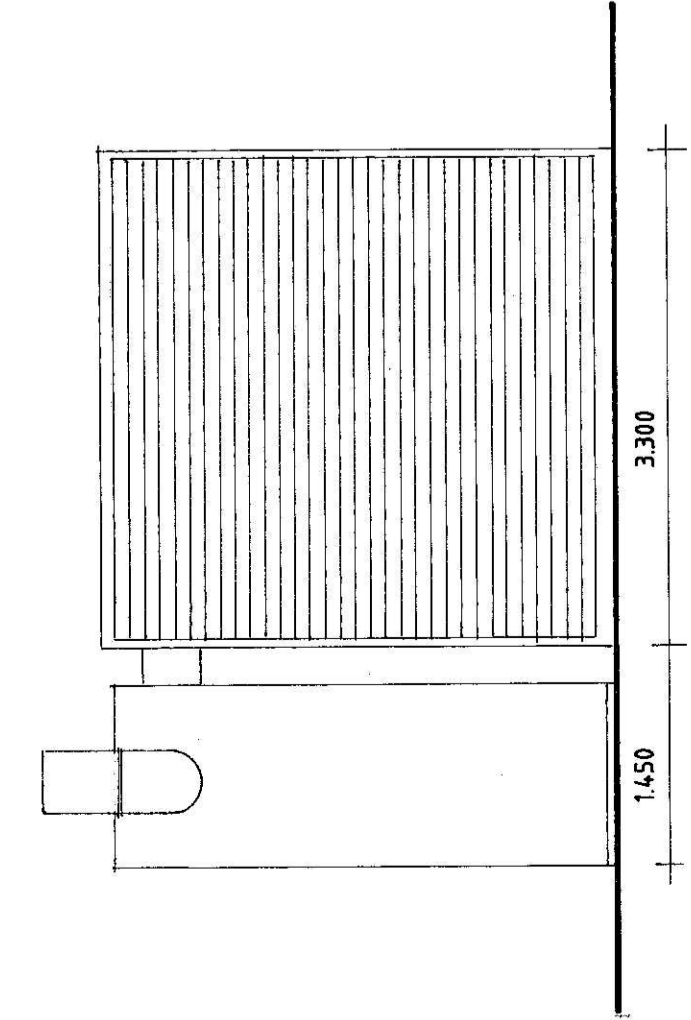


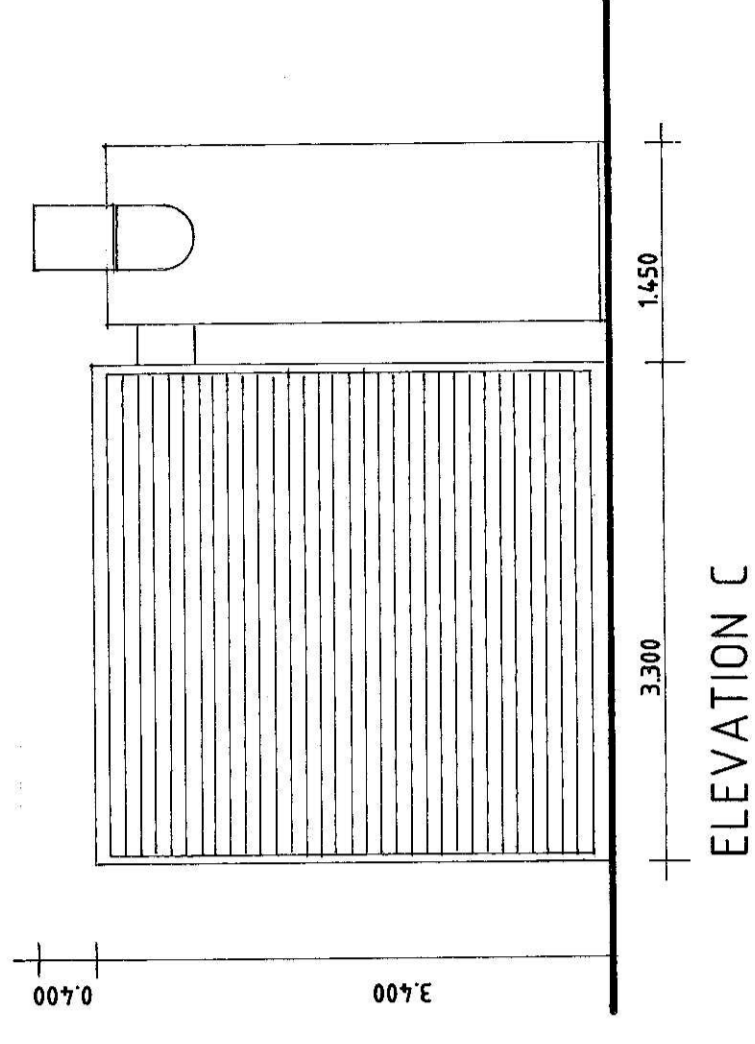
ELEVATION B



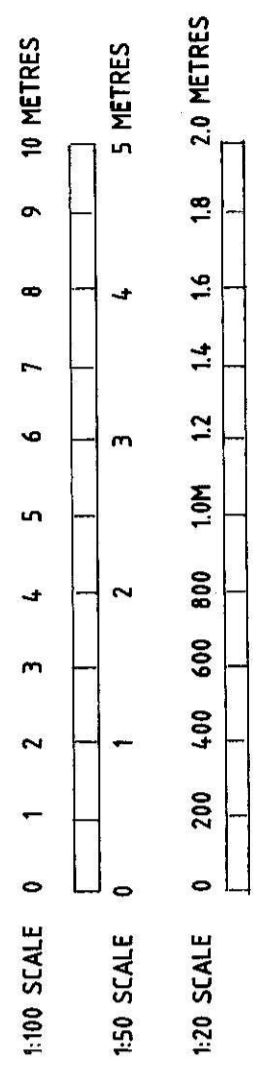
PLAN



ELEVATION A



ELEVATION C



TITLE
15.245 M GENERATOR
REVISIONS

PROJECT
GENERATOR COMPOUND
DETAIL SHEET

CHRISTOPHER R STONE MCIAT LTD
CHARTERED ARCHITECTURAL TECHNOLOGIST
The Design Studio
Homeleigh • Stratford Road • Mickleton • Gloucestershire • GL5 6BR
Tel: 01386 438428 • Fax: 01386 438920
Email: crs@christopherstoneciat.com

15.245 METRE GENERATOR CONTAINER
DRAWING INDICATES RIGHT HAND EXHAUST LAYOUT LEFT HAND EXHAUST ELEVATION
HANDED

SCALE	DATE	NORTH
1:50	07/16	
JOB No	DRG No	REV No
DS	01	

This drawing must be checked before commencing work or preparing shop drawing. Any errors or discrepancies must be brought to the Designer's attention.